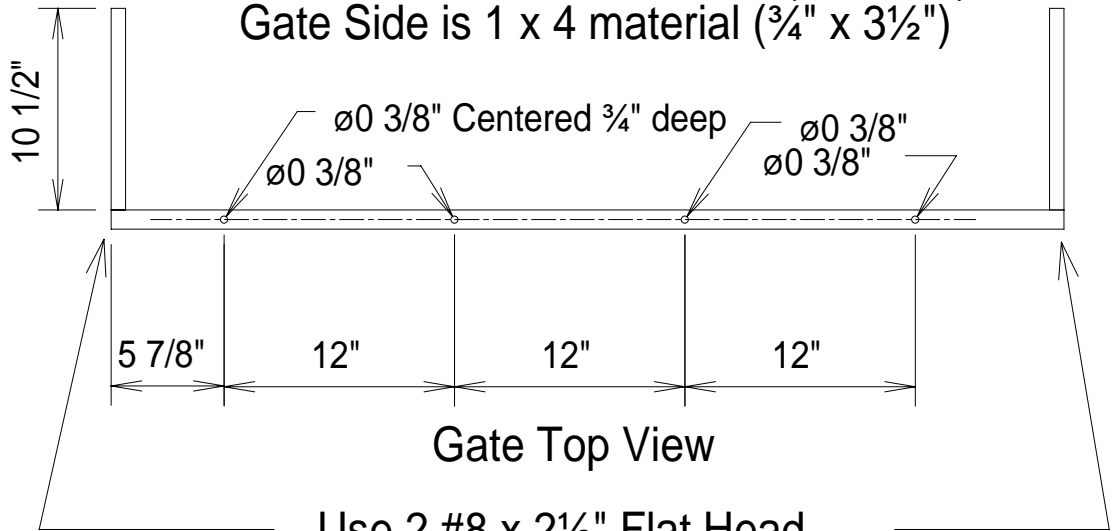


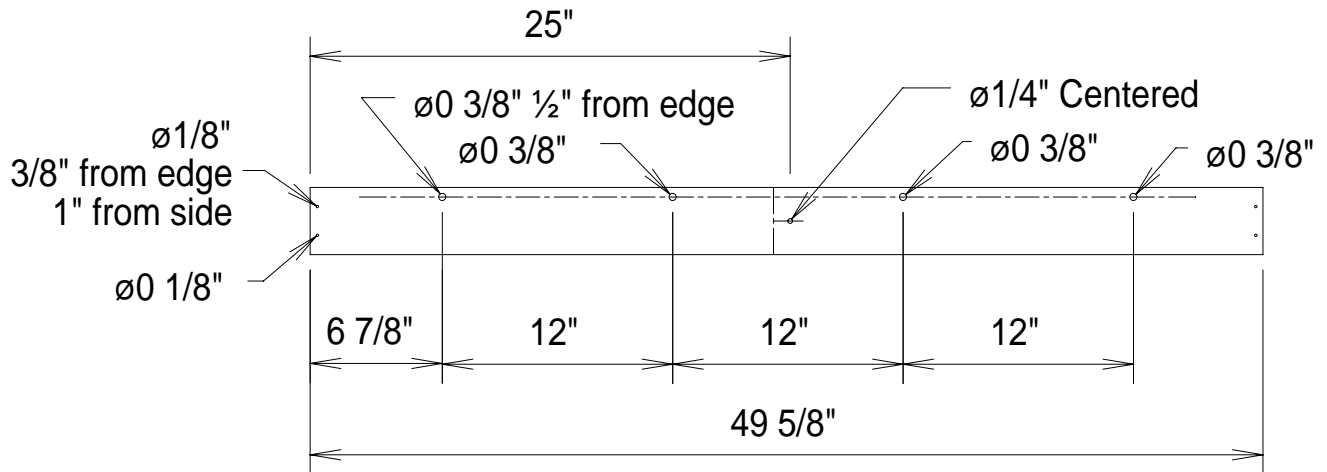
Gate Front is 5/4 x 4 material (1" x 3 1/2")  
 Gate Side is 1 x 4 material (3/4" x 3 1/2")



Gate Top View

Use 2 #8 x 2 1/2" Flat Head  
 Screws + glue at each end

Insert Brass 1/4-20 threaded inserts  
 in all 3/8 holes.  
 (8 required for this page)



Gate Front View

Gate Front is 5/4 x 4 material (1" x 3 1/2")

