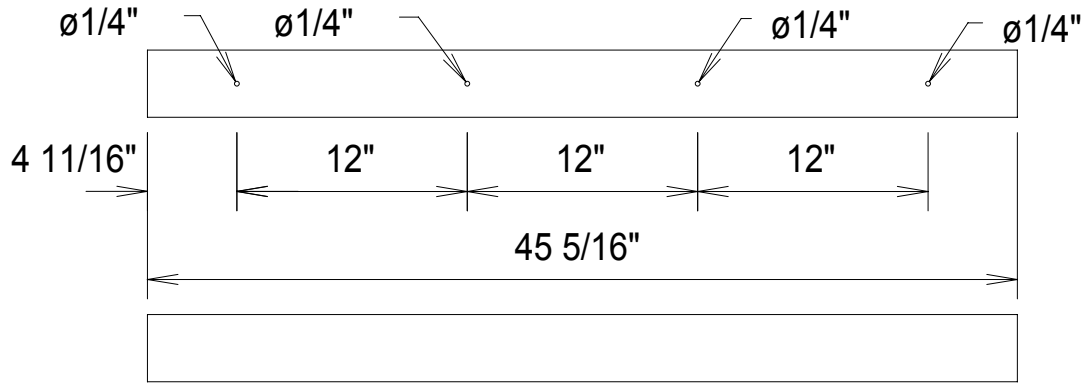
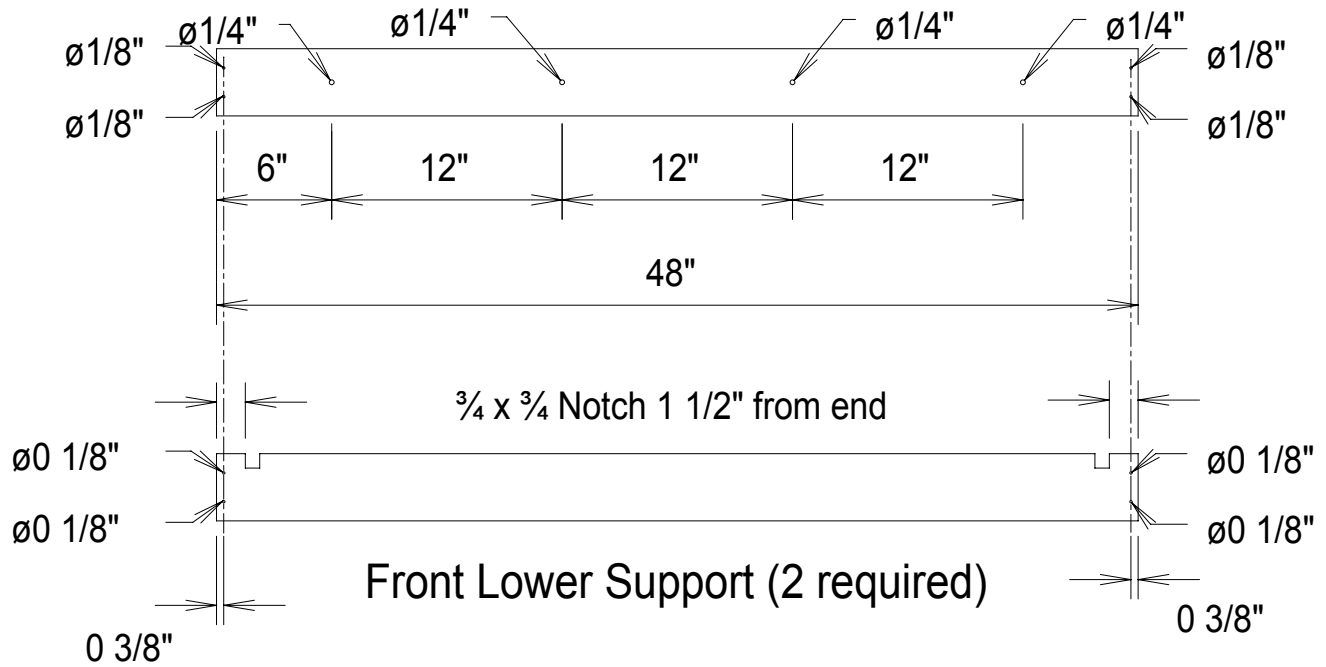


Rear Upper Support (2 required)



Rear Lower Support (2 required)

Front Upper Support (2 required)



Front Lower Support (2 required)

